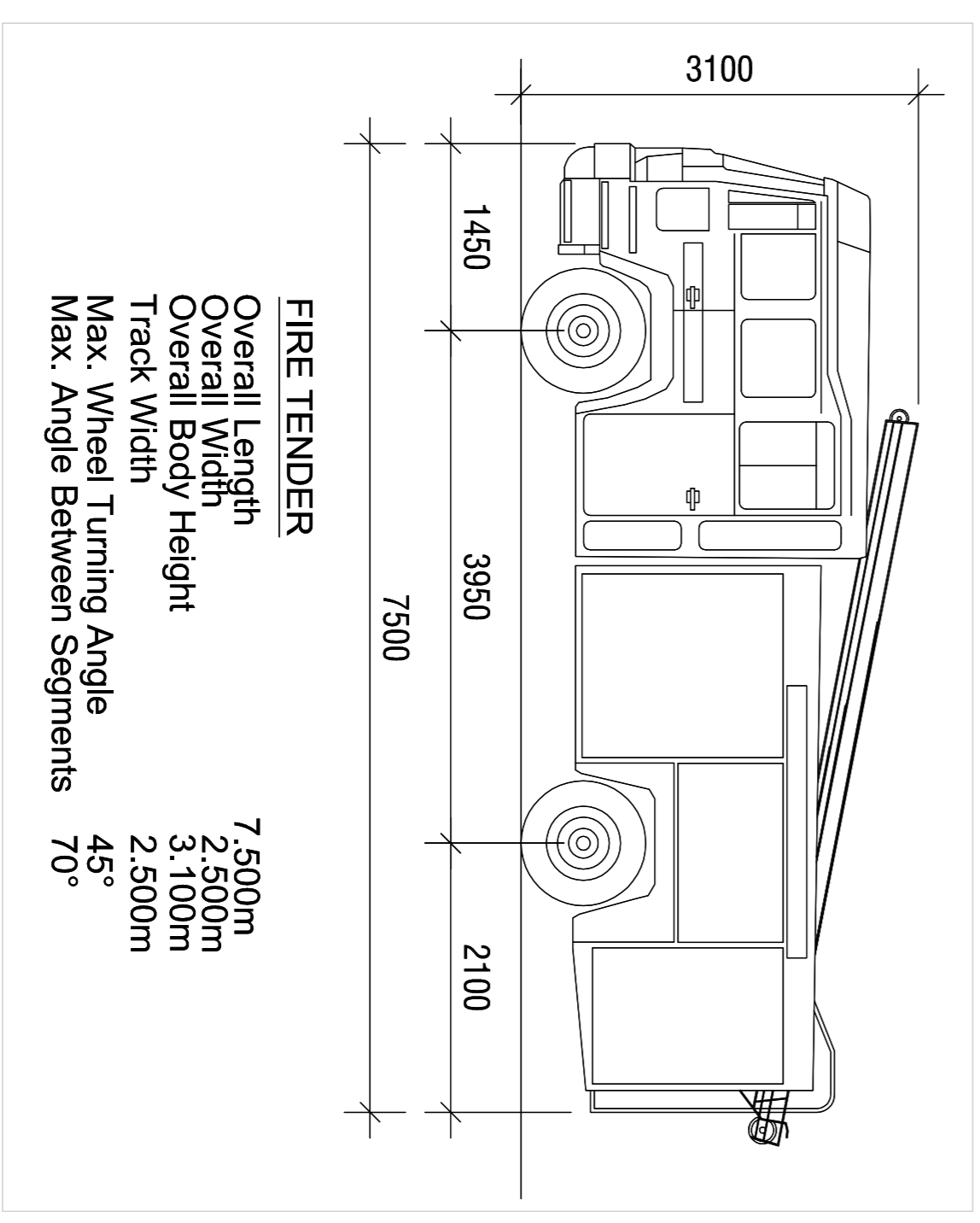


SWEPT PATH ANALYSIS
FIRE TENDER
SCALE 1:200



FIRE TENDER
Overall Length 7.500m
Overall Width 3.100m
Overall Body Height 1450mm
Track Width 2.500m
Max. Wheel Turning Angle 45°
Max. Angle Between Segments 70°

VEHICLE PARAMETERS
SCALE 1:50

Rev	Date	By	Description
1	03/10/2019	C.G.	Issued for Planning
2		DM	Checked

LOHAN & DONNELLY
Consulting Engineers

13 Gardiner Place, Mooney's Square, Dublin 1. T: 01 8787770
W: www.lohan-donnelly.com E: info@lohan-donnelly.com

Job: Residential Development at Belgard Road, Dublin 24

Drawing: Swept Path Analysis (Fire Tender)

Job No: 18161
Proj No: C09

Scale: @A1
Date: Oct 2019

Drawn: C.G.
Rev: P